



LIFE PROJECT - SEKRET

LIFE12 ENV/IT/000442

"Sediment ElectroKinetic REmediation Technology for heavy metal pollution removal"

DELIVERABLE ACTION B1

“Design and specification of demonstration plant”

Drawing n.7 – Basin cover



UNIVERSITÀ DI PISA



Port Authority Livorno

WEST
Systems

Lambda

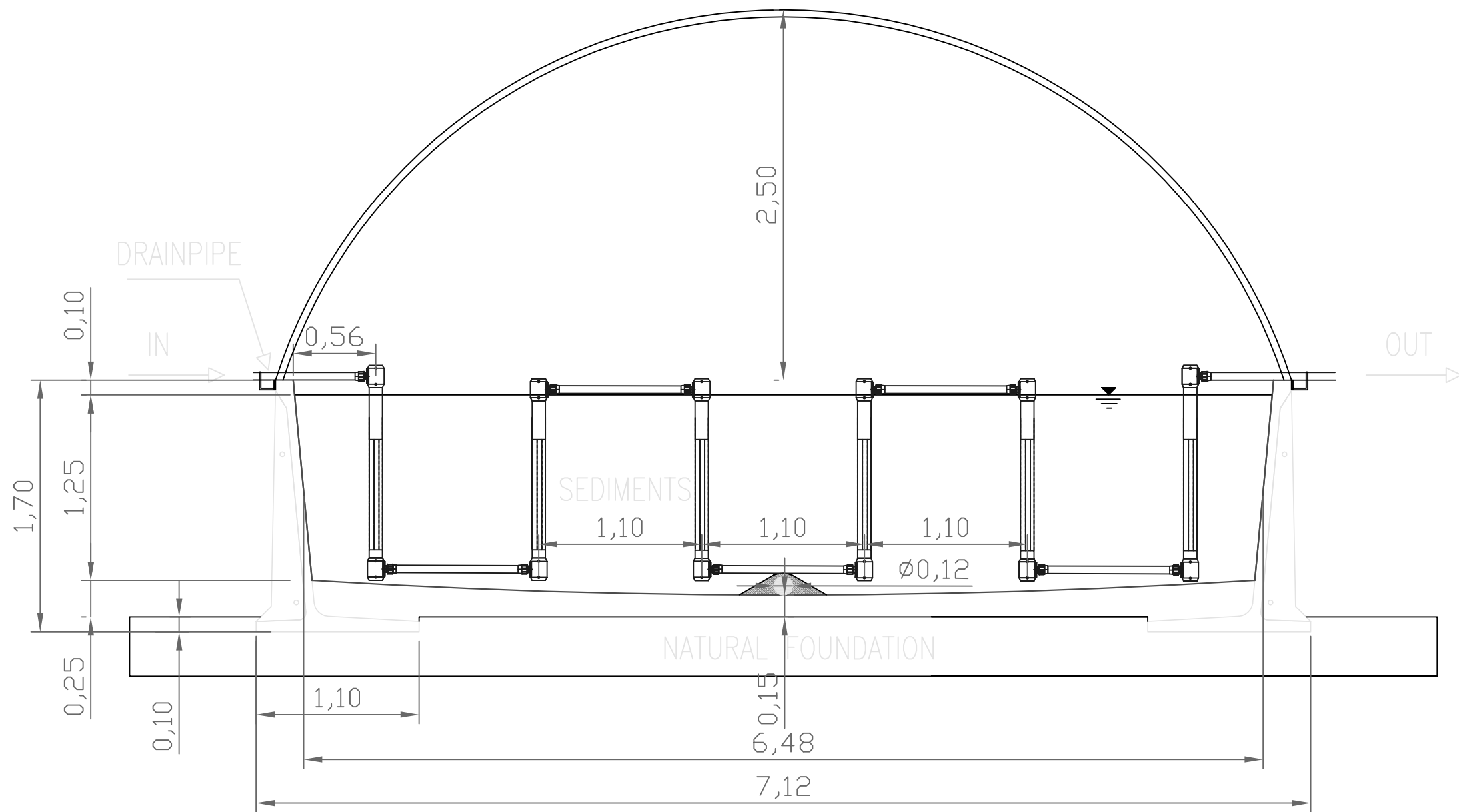


Consult


REGIONE TOSCANA



SAPIENZA
UNIVERSITÀ DI ROMA



LIFE+ Environment Policy and Governance
 PROJECT LIFE12 ENV/IT/000442

Project title:  Sediment Electrokinetic
 Remediation Technology
 for heavy metal pollution removal

A3 Drawing by: Giulio Manfredini

Misure in: mt Approved by: Ing. Simone Neri

WEST
 Systems

12/09/2014