



# **LIFE PROJECT - SEKRET**

## **LIFE12 ENV/IT/000442**

"Sediment ElectroKinetic REmediation Technology for heavy metal pollution removal"

---

### **DELIVERABLE ACTION B1**

**“Design and specification of demonstration plant”**

*Drawing n.4 – Tube sections*



UNIVERSITÀ DI PISA



Port Authority Livorno

**WEST**  
Systems

Lambda



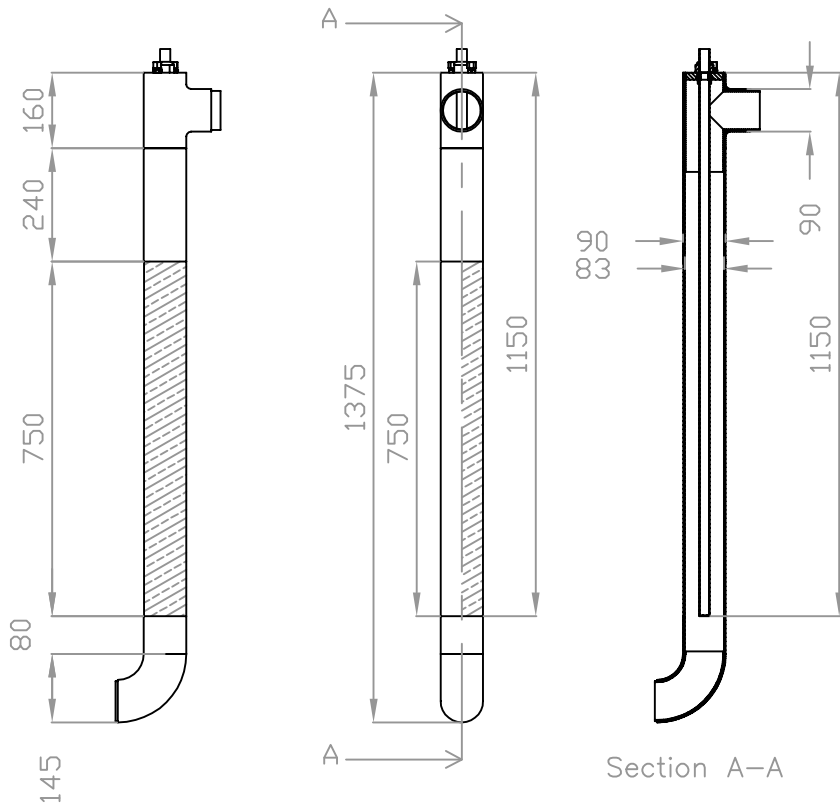
Consult

REGIONE TOSCANA

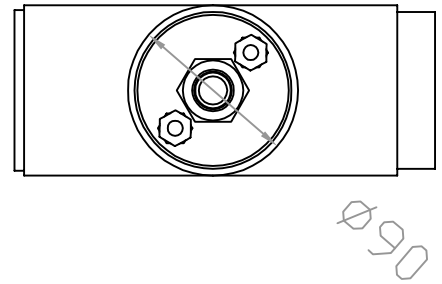


**SAPIENZA**  
UNIVERSITÀ DI ROMA

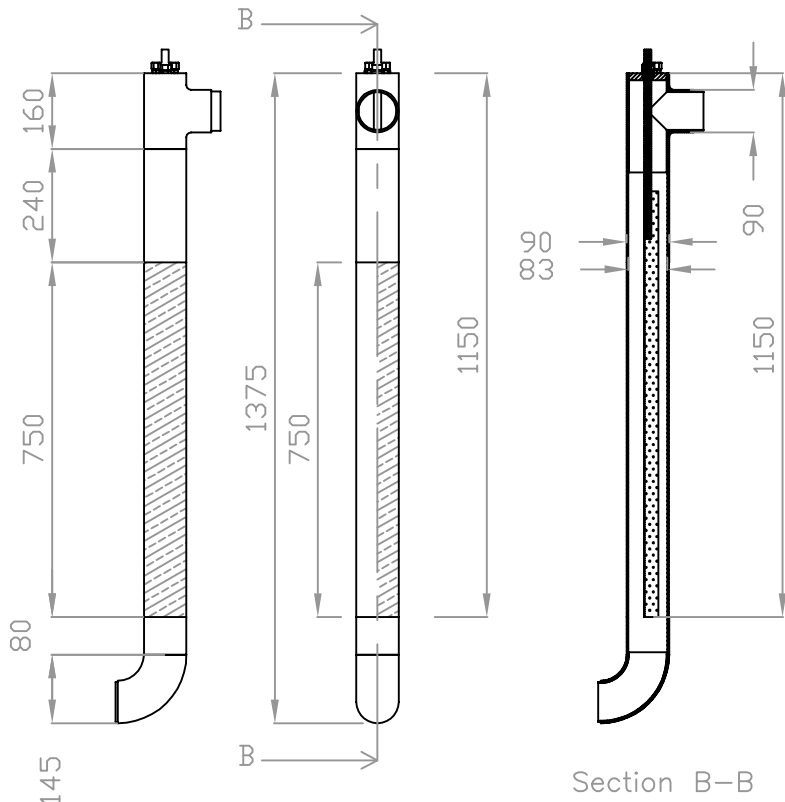
# Cathode



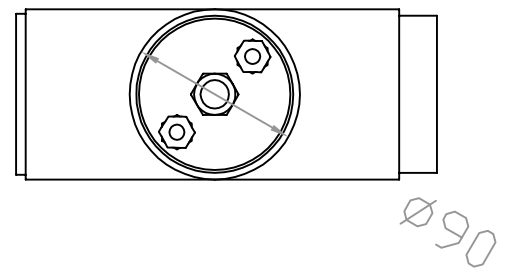
Top view 1:4



# Anode



Top view 1:4



LIFE+ Environment Policy and Governance  
*PROJECT LIFE12 ENV/IT/000442*

Project title:



Sediment Electrokinetic  
Remediation Technology  
for heavy metal pollution removal

A4

Drawing by:

Giulio Manfredini

Misure in:

mm

Approved by:

Ing. Simone Neri

**WEST**  
**Systems**

Tube sections

25/07/2014